

- Available in a variety of options (terminated, unterminated, point-to-point or MPO indexing)
- Hardened connectors are factory-terminated and environmentally sealed for use in optical drop cable deployments
- Plug-and-play adapter ports ensure rapid cable installation
- Incorporated hardened connector technology that is designed to withstand the rugged outside plant (OSP) environment

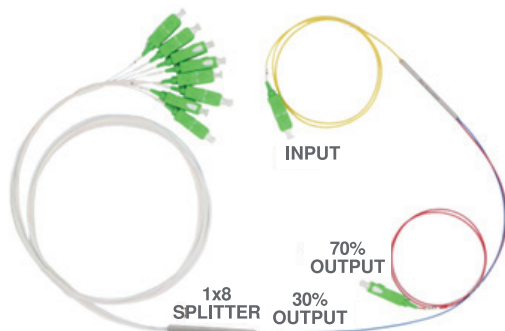


Other features

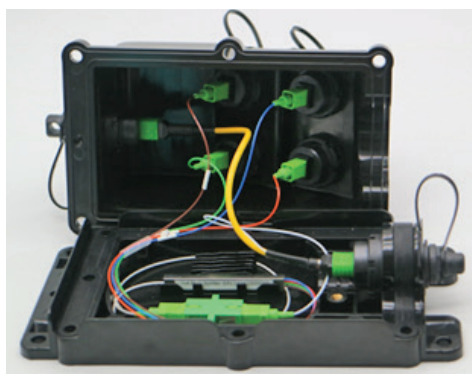
- IP68 rated, high quality, high performance connectors
- Flexible choice of ports: 2, 4, 6, 8, 12 or 16
- Mounting configurations: aerial, wall or buried
- Compatible with industry standard drop cables and connectors
- Option of factory spliced feed cable in MST or a female connector on MST for feed cable

Fiber optic multiport service terminals

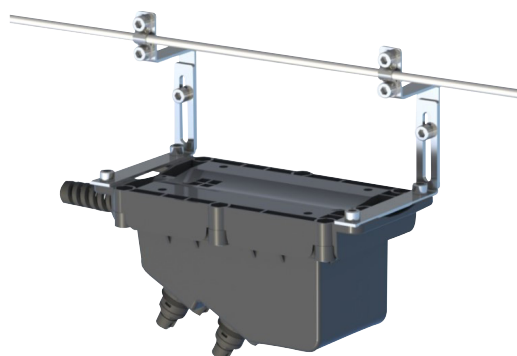
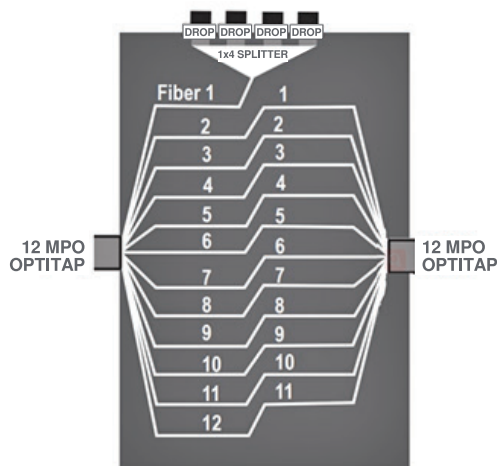
Technetix' FiberHub® multiport splitter service access terminals incorporate hardened adapters and enable rapid tower and indoor/outdoor fiber to the home (FTTH) deployments. Terminals are available in different configurations similar to an RF tap. LB-MSTs are available in terminated or unterminated, point-to-point or using MPO connections for indexing (add/drop-style) configurations. These terminals are IP68 rated to withstand the rigors of outdoor deployments in all environments. Terminals can be mounted in a vault, pedestal, pole or on a strand. Each terminal comes with a mounting kit allowing aerial mounting. For other types of mounting kits, please contact the factory.



Unterminated 8-port LB-MST 1x2 70/30 coupler with 1x8 splitter (LB-MST-108-70/30)



MPO indexing-style MST closure (LB-MST-xxx-MPO)



LB-MST aerial or strand mounting (kit included)

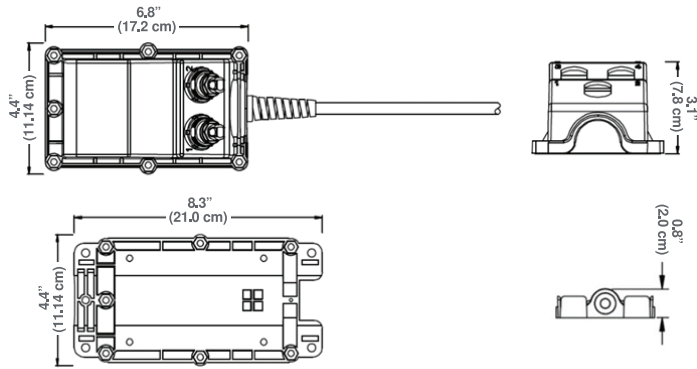


LB-MST pole mounting



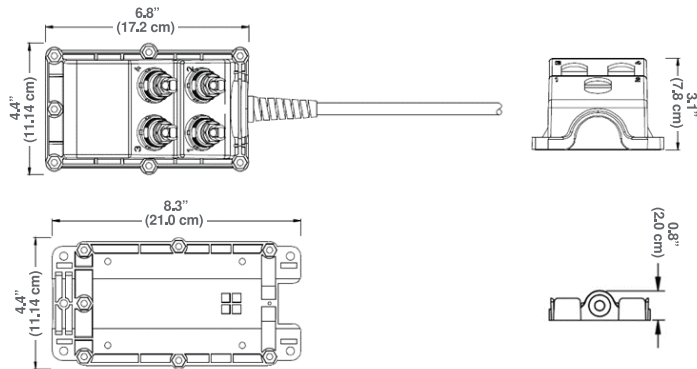
LB-MST wall mounting

Mechanical specifications diagram (2-port MST)



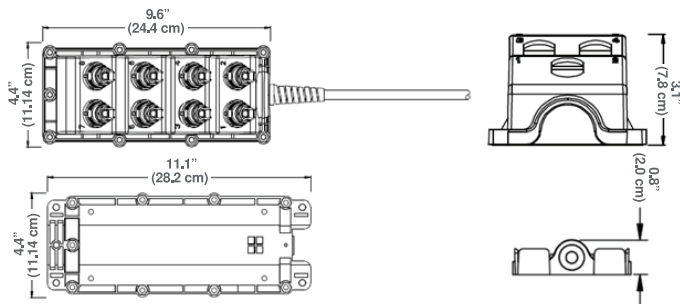
2-port, 4-port and 8-port
 LB-MST-70/30 and LB-MST-MPO
 (side views)

Mechanical specifications diagram (4-port MST)

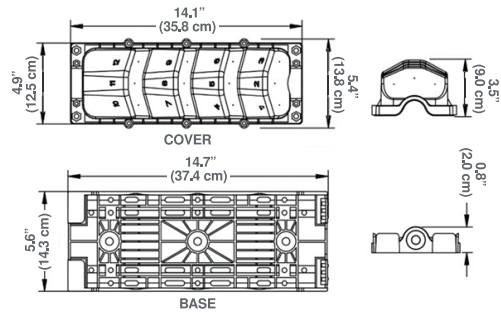


2-port, 4-port and 8-port
 LB-MST-T
 (side and front angled views)

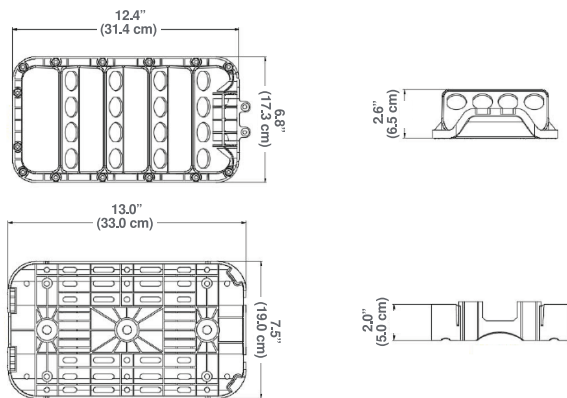
Mechanical specifications diagram (8-port MST)



Mechanical specifications diagram (12-port P2P MST)



Mechanical specifications diagram (16-port MST)



16-port LB-MST
(front angled view)

LB-MST / LB-P2P-MST device and performance specifications

| Parameter | LB-MST / LB-P2P-MST series | Units | Notes |
|---|--|-------|-------|
| Ports | 2, 4, 6, 8, 12 and 16 | | |
| IP rating | IP68 | | |
| Material | ML6411 reinforced polycarbonate + ABS and stainless steel 304 | | |
| RoHS compliant | Yes | | |
| Connectors | SuperTap SC/APC connector or SuperTap MPO connector | | |
| Entrance | SuperTap adapter | | |
| Feed cable | 1 core for MST, 12 core for MPO MST and 2, 4, 6, 8 or 12 core options for P2P-MST | | |
| Feed cable length | Customizable - see ordering information. Also available without feed cable connected | | |
| 1x2 FBT 70/30 coupler | 70% = 2.5 dB IL (max.); 30% = 6.5 dB IL (max.) | | |
| 1x2 PLC splitter | 4.1 dB IL (max.) | | |
| 1x4 PLC splitter | 7.4 dB IL (max.) | | |
| 1x8 PLC splitter | 10.5 dB IL (max.) | | |
| 1x16 PLC splitter | 14.5 dB IL (max.) | | |
| 1x2 FBT 70/30 coupler + 1x2 PLC splitter | 70% output = 2.5 dB IL (max.) 30% drop + 1x2 PLC splitter output = 10.6 dB IL (max.) | | |
| 1x2 FBT 70/30 coupler + 1x4 PLC splitter | 70% output = 2.5 dB IL (max.) 30% drop + 1x4 PLC splitter output = 13.9 dB IL (max.) | | |
| 1x2 FBT 70/30 coupler + 1x8 PLC splitter | 70% output = 2.5 dB IL (max.) 30% drop + 1x8 PLC splitter output = 17.0 dB IL (max.) | | |
| 1x2 FBT 70/30 coupler + 1x16 PLC splitter | 70% output = 2.5 dB IL (max.) 30% drop + 1x16 PLC splitter output = 21.0 dB IL (max.) | | |
| Mounting method | Strand, pole, wall, handhole or pedestal | | |

Cable

| Parameter | LB-MST / LB-P2P-MST series | Units | Notes |
|-----------------------|---|-------|-------|
| Cable type | Dielectric flat loose tube cable or round cable | | |
| Cable size | 4.5*8.1 mm (0.18**0.32") or 5.0 mm (0.2") | mm/in | |
| Cable length | See ordering information | | |
| Feed cable | 1 core for MST, 12 core for MPO MST and 2, 4, 6, 8 or 12 core options for P2P-MST | | |
| Attenuation (max.) | @ 1310 nm | 0.4 | dB/km |
| | @ 1550 nm | 0.3 | dB/km |
| Directivity (max.) | 60 | dB | |
| Wavelength range | 1260-1635 | nm | |
| Insertion loss (max.) | SuperTap terminal connector | 0.4 | dB |
| Return loss (min.) | Connector | 65 | dB |

Mechanical and environmental specifications

| Parameter | LB-MST / LB-P2P-MST series | Units | Notes |
|---------------------------|----------------------------------|---|-------|
| Operating temperature | -40°C to +85°C (-40°F to +185°F) | °C/°F | |
| Dimensions (H x W x D) | 2 ports | 8.3"H*4.4"W*3.9"D (21.0H*11.14W*9.8D cm) | in/cm |
| | 4 ports | 8.3"H*4.4"W*3.9"D (21.0H*11.14W*9.8D cm) | in/cm |
| | 8 ports | 11.1"H*4.4"W*3.9"D (28.2H*11.14W*9.8D cm) | in/cm |
| | 12 ports | 14.7"H*5.6"W*4.3"D (37.4H*14.3W*11.0D cm) | in/cm |
| | 16 ports | 13.0"H*7.5"W*4.5"D (33.0H*19.0W*11.5D cm) | in/cm |
| Weight | 2 ports | 1.4 lb (0.6 kg) | lb/kg |
| | 4 ports | 1.7 lb (0.8 kg) | lb/kg |
| | 8 ports | 2.0 lb (0.9 kg) | lb/kg |
| | 12 ports | 4.7 lb (2.1 kg) | lb/kg |
| | 16 ports | 3.1 lb (1.4 kg) | lb/kg |

Order information (LB-MST)

| LB-MST | Port and splitter configuration | Splitter type | Feed cable length |
|--------|--|---|-------------------------|
| LB-MST | xxx | x | xxxx |
| | 102 = 2 ports with 1x2 splitter | T = Terminated | 00000 = No feed cable |
| | 104 = 4 ports with 1x4 splitter | 70/30 = Underminated with a pass through coupled at 70/30 ratio | 100F = 100' (30.5 m) |
| | 108 = 8 ports with 1x8 splitter | MPO = Indexing MPO-style. 12 MPO connector for input and pass through | 200F = 200' (61 m) |
| | 108x2 = 16 ports with two 1x8 splitters ¹ | | 300F = 300' (91.4 m) |
| | 116 = 16 ports with 1x16 splitter | | 500F = 500' (152.4 m) |
| | | | 600F = 600' (182.9 m) |
| | | | 800F = 800' (243.8 m) |
| | | | 1000F = 1000' (304.8 m) |

Note

1 | This configuration only available with MPO indexing-style type

Examples

Part # LB-MST-102-T

2-port MST fiber hub enclosure terminated with a 1x2 PLC splitter

Part #LB-MST-104-70/30

4-port MST fiber hub enclosure with a 70/30 coupled output port and a 1x4 PLC splitter

Part # LB-MST-108-MPO

8-port MST fiber hub enclosure indexing-type with MPO input and output connectors and a 1x8 PLC splitter



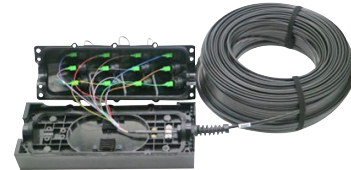
Terminated LB-MST with 1x2, 1x4 or 1x8 splitters (LB-MST-xxx-T)

Order information (LB-P2P-MST)

| LB-P2P-MST | # of ports | Feed cable length |
|------------|---------------|-------------------------|
| | xx | xxxx |
| | 02 = 2 ports | 100F = 100' (30.5 m) |
| | 04 = 4 ports | 200F = 200' (61 m) |
| | 06 = 6 ports | 300F = 300' (91.4 m) |
| | 08 = 8 ports | 500F = 500' (152.4 m) |
| | 12 = 12 ports | 600F = 600' (182.9 m) |
| | | 800F = 800' (243.8 m) |
| | | 1000F = 1000' (304.8 m) |



LB-P2P-MST-12 port with cable feed



LB-P2P-MST-12 port with cable feed (open)

Example

Part # **LB-P2P-MST-12-100F**

Point-to-point MST fiber hub enclosure with 12 ports and 100' (30.5 m) length 12-fiber feed cable

Accessory ordering information (LB-FD feed and drop cables)

| LB-FD | Cable type | Connector #1 | Connector #2 | Cable length |
|-------|---|--------------------------------|---|---|
| | x | ST | xx | xxxx |
| | X = 4.5*8.1 mm dielectric cable R = 5.0 mm round cable | ST = SuperTap SC/APC connector | 00 = No connector (pigtail) ST = SuperTap SC/APC connector SA = Standard SC/APC connector | 50F = 50' (15.2 m) 100F = 100' (30.5 m) 200F = 200' (61.0 m) 300F = 300' (91.4 m) 400F = 400' (121.9 m) 500F = 500' (152.4 m) 600F = 600' (182.9 m) 800F = 800' (243.8 m) 1000F = 1000' (304.8 m) |

Example

Part # **LB-FD-X-ST-00-100F**

4.5*8.1 mm dielectric flat drop cable with SuperTap SC/APC connector on one end, other end unterminated, 100' (30.5 m) length, for use with LB-FST and LB-MST

Accessory ordering information (LB-MPOC indexing-style feed cables)

| LB-MPOC | Connector #1 | Connector #2 | Cable length |
|---------|---|---|---|
| | xxxxx | xxxxx | xxxx |
| | STMPO = SuperTap MPO connector male STMPOF = SuperTap MPO connector female | STMPO = SuperTap MPO connector male STSA = 12 standard SC/APC connectors | 50F = 50' (15.2 m) 100F = 100' (30.5 m) 200F = 200' (61.0 m) 300F = 300' (91.4 m) 400F = 400' (121.9 m) 500F = 500' (152.4 m) 600F = 600' (182.9 m) 800F = 800' (243.8 m) 1000F = 1000' (304.8 m) |

Example

Part # **LB-MPOC-STMPO-STSA-100F**

12-fiber cable with SuperTap MPO male connector on one end, to 12-fiber standard SC/APC connectors on other end, 100' (30.5 m) length, for use with LB-MST